

PRODUCT INFORMATION PACKET

Model No: 056T11F15527
Catalog No: K407A
1,1200,TEFC,56C,3/60/230/460
Totally Enclosed Fan Cooled (TEFC)



Regal and Marathon are trademarks of Regal Beloit Corporation or one of its affiliated companies.
©2018 Regal Beloit Corporation, All Rights Reserved. MC017097E



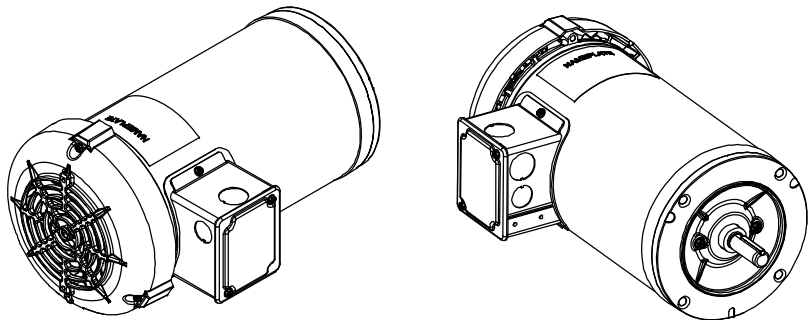
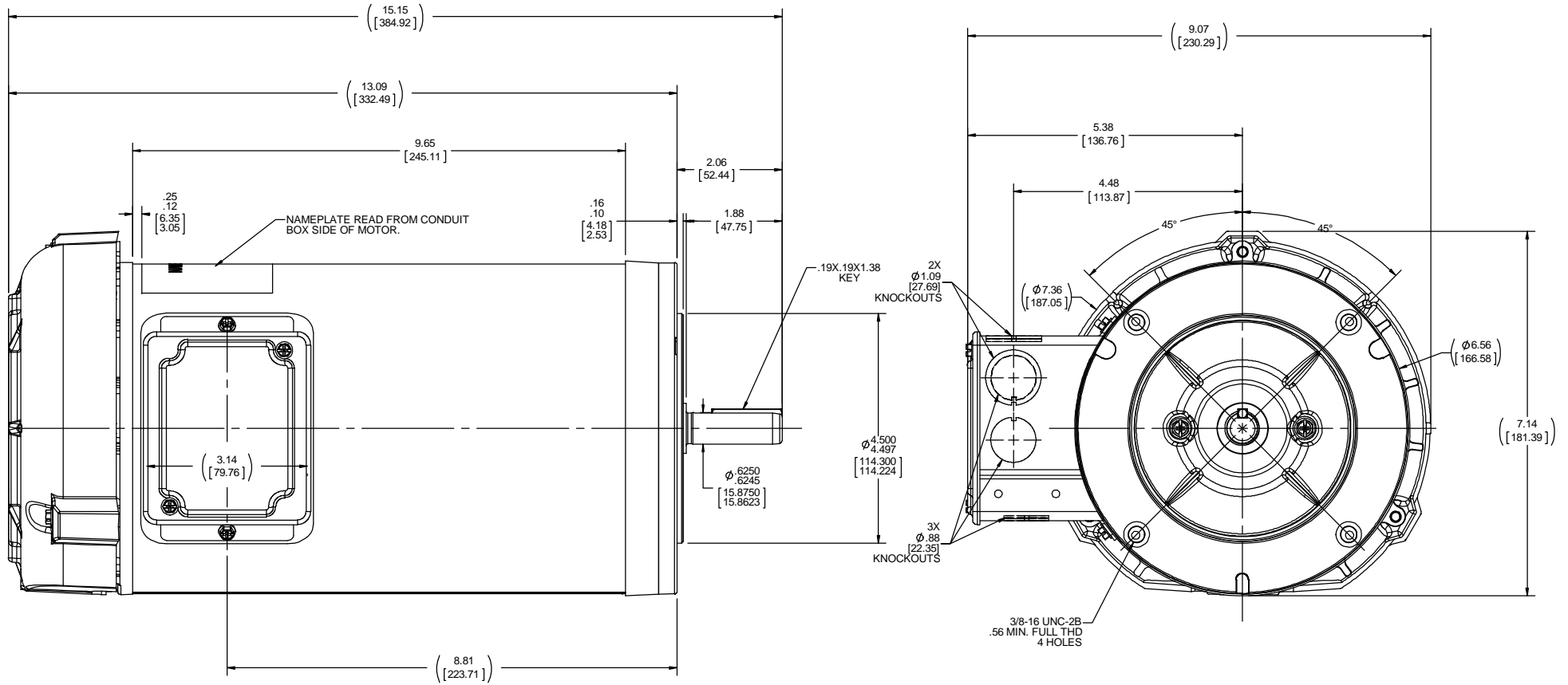
Nameplate Specifications

Output HP	1 Hp	Output KW	0.75 kW
Frequency	60 Hz	Voltage	230/460 V
Current	3.8/1.9 A	Speed	1140 rpm
Service Factor	1.15	Phase	3
Efficiency	82.5 %	Duty	Continuous
Insulation Class	F	Design Code	B
KVA Code	L	Frame	56C
Enclosure	Totally Enclosed Fan Cooled	Overload Protector	No
Ambient Temperature	40 °C	Drive End Bearing Size	6205
Opp Drive End Bearing Size	6203	UL	Recognized
CSA	Y	CE	Y
IP Code	43		

Technical Specifications

Electrical Type	Squirrel Cage Induction Run	Starting Method	Across The Line
Poles	6	Rotation	Reversible
Mounting	Round	Motor Orientation	HORIZONTAL
Drive End Bearing	BALL	Opp Drive End Bearing	BALL
Frame Material	Rolled Steel	Shaft Type	NEMA 56
Overall Length	15.15 in	Frame Length	9.65 in
Shaft Diameter	0.625 in	Shaft Extension	1.87 in
Assembly/Box Mounting	F1 ONLY		
Outline Drawing	OL56100240-001	Connection Diagram	CDTD103

This is an uncontrolled document once printed or downloaded and is subject to change without notice. Date Created: 10/30/2018



DRAWING REVISION B	REVISION BY D.SURYAWANSHI	DATE 09/24/2018	TOLERANCES UNLESS OTHERWISE SPECIFIED: DEC. INCH mm ANGLE	DRAWN BY E.VILLA	Regal Beloit America, Inc.
ECO-0097684	APPROVED BY PVR	DATE 08/24/2018	.XX ±0.1 [±2.5] ±0.5° .XXX ±0.02 [±0.51] .XXXX ±0.005 [±0.127] .XXXX ±0.0005 [±0.0127]	DATE 03-03-2017	
ECO DESCRIPTION UPDATED SHAFT EXTENSION			REMOVE BURRS & BREAK SHARP EDGES: .003/.015 [0.076/.381] X 45° CORNER FILLETS: R.02 [.51]	APPROVED BY A.ARREOLA	DESCRIPTION OUTLINE 56H FR,TEFC, C-FACE
<small>COPYRIGHT REGAL BELOIT AMERICA, INC. ALL RIGHTS RESERVED. PROPRIETARY AND CONFIDENTIAL INFORMATION. THIS DOCUMENT IS THE PROPERTY OF REGAL BELOIT AMERICA, INC. FORMERLY AND CONTAINING OWNERS PROPRIETARY INFORMATION. ANY PERSON, CORPORATION OR OTHER FIRM RECEIVING IT IS DEEMED BY RECEIVING IT, TO AGREE THAT IT, AND/OR ANY PART OF IT, SHALL NOT BE DISCLOSED TO ANY PERSON, CORPORATION OR OTHER ENTITY, DUPLICATED, AND/OR USED, EXCEPT AS EXPRESSLY APPROVED IN WRITING IN ADVANCE BY OWNER. THIS DOCUMENT SHALL BE RETURNED TO OWNER UPON REQUEST. IT MAY BE SUBJECT TO CERTAIN RESTRICTIONS UNDER APPLICABLE EXPORT CONTROL LAWS AND REGULATIONS.</small>			MACHINED SURFACES: 1/25 INCH/ 3.2 mm SHOWN IN [BRACKETS]	DATE 03-03-2017	PROCESS/FINISH
			THIRD ANGLE PROJECTION	REFERENCE	MATERIAL
			SIZE C	DRAWING NUMBER OL56100240-001	SHEET 1 OF 1

4

3

Uncontrolled Copy

2

1

B

B

VIEW OF TERMINAL END

NOTE:

1. TO REVERSE ROTATION, INTERCHANGE ANY TWO LINE CONNECTIONS TO L1, L2, OR L3.
2. CONNECTION DIAGRAM-NAMEPLATE DD10038

CCW LOW VOLTAGE

001

CCW HIGH VOLTAGE

002

A

A

DRAWING REVISION A	REVISION BY G. RODRIGUEZ	DATE 07-06-2016
ECO ECO-0149482	APPROVED BY R. VALENZUELA	DATE 07-06-2016
ECO DESCRIPTION NEW RELEASE		
<small>COPYRIGHT REGAL BELOIT AMERICA, INC. ALL RIGHTS RESERVED. PROPRIETARY AND CONFIDENTIAL INFORMATION - THIS DOCUMENT IS THE PROPERTY OF REGAL BELOIT AMERICA, INC. ("OWNER") AND CONTAINS OWNER'S PROPRIETARY INFORMATION. ANY PERSON, CORPORATION OR OTHER FIRM RECEIVING IT IS DEEMED, BY RECEIVING IT, TO AGREE THAT IT, AND/OR ANY PART OF IT, SHALL NOT BE DISCLOSED TO ANY PERSON, CORPORATION OR OTHER ENTITY, DUPLICATED, AND/OR USED, EXCEPT AS EXPRESSLY APPROVED IN WRITING IN ADVANCE BY OWNER. THIS DOCUMENT SHALL BE RETURNED TO OWNER UPON REQUEST. IT MAY BE SUBJECT TO CERTAIN RESTRICTIONS UNDER APPLICABLE EXPORT CONTROL LAWS AND REGULATIONS.</small>		

TOLERANCES UNLESS OTHERWISE SPECIFIED:			
DEC.	INCH	mm	ANGLE
.X	±0.1	[±2.5]	±0.5°
.XX	±0.01	[±0.25]	
.XXX	±0.005	[±0.127]	
.XXXX	±0.0005	[±0.0127]	
REMOVE BURRS & BREAK SHARP			
EDGES: .003/.015 [.076/.381]			
CORNER FILLETS: .02 [.51]			
MACHINED SURFACES: 125/3.2			
mm SHOWN IN [BRACKETS]			

DRAWN BY G. RODRIGUEZ	DATE 07-06-2016
APPROVED BY R. VALENZUELA	DATE 07-06-2016
REFERENCE SKT52A105383CA	
THIRD ANGLE PROJECTION	

Regal Beloit America, Inc.	
DESCRIPTION CONN DIAGRAM-EXTERNAL	
MATERIAL	PROCESS/FINISH
SIZE B	DRAWING NUMBER CDTD103
	SHEET 1 OF 1

4

3

2

1

4 of 6



P.O. BOX 8003
WAUSAU, WI 54401-8003
PH. 715-675-3311

DATA VOLTS: 460

CERTIFICATION DATA SHEET

CUSTOMER P.O. #:
 ORDER #:
 CONN. DIAGRAM: CDDTD103
 REFERENCE MODEL #: 56T1F15527
 CAT #: K407A
 OUTLINE: OL56100240-001
 CUSTOMER PART #:
 WINDING: ZT6139 FR 3 MOUNTING: F1 ONLY
 SPEED:
 TYPICAL MOTOR PERFORMANCE DATA

HP	KW	SYNC RPM	FL RPM	FRAME	ENCLOSURE	TYPE	KVA CODE	DESIGN
1	0.75	1200	1180	56C	TEFC	TEF	L	B

PH	HZ	VOLTS	AMPS	START TYPE	DUTY	INSL	S.F.	AMB	ELEV.
3	60/50	230/460#190/380	3.8/1.983/6/1.8	ACROSS-THE LINE	CONT	F	1.15	40	3300
	F.L. EFF	82.5	3/4 LD EFF	81.5	1/2 LD EFF	78.5	GTD EFF		ELECT. TYPE
	F.L. PF	60.0	3/4 LD PF	50.0	1/2 LD PF	38.0	80.0		SQ CAGE IND RUN
F.L. TORQUE	LR AMPS @ 460 V	L.R. TORQUE	B.D. TORQUE	F.L. RISE (°C)					
4.5 LB-FT	11.8	13.1 LB-FT	291%	18.4 LB-FT	409%	40			
@ 3 FT.	POWER	ROTOR WK ²	MAX. LOAD WK ²	SAFE STALL TIME	START/SHOUR	MOTOR WGT			
62 DBA	71 DBA	0.14 LB-FT ²	0 LB-FT ²	20 SEC.	0	50 LB.			

*** SUPPLEMENTAL INFORMATION ***

DE BRACKET TYPE	ODE BRACKET TYPE	MOUNT TYPE	MOTOR ORIENTATION	SEVERE DUTY	HAZARDOUS LOCATION	DRIP COVER	SCREENS	PAINT
C-FACE	BRAKE	ROUND	HORIZONTAL	NO	NONE	YES	NONE	GRAY (POWDER)

BEARINGS	GREASE	SHAFT TYPE	SPECIAL DE	SPECIAL ODE	SHAFT	MATERIAL	FRAME MATERIAL
DE BALL 6205	POLYREX EM	T	NONE	NONE	1144	STRESSPROOF (C-223)	ROLLED STEEL

THERMOSTATS	PROTECTORS	WDG RTD's	BRG RTD's	THERMISTORS	CONTROL	SPACE HEATERS
NONE	NOT	NONE	NONE	NONE	FALSE	NA

R1 (ohms/ph)	R2 (ohms/ph)	X1 (ohms/ph)	X2 (ohms/ph)	Xm (ohms/ph)	VIBRATION (in/sec)	FLOAT
8.963	7.545	14.268	16.679	210.837	0.150	ODE

* N		INVERTER TORQUE: NONE	
O		INV. HP SPEED RANGE: NONE	
T		ENCODER: NONE	
E		BRAKE: NONE	
S		FT-LB: NA	
		VOLTAGE: NONE	
		NONE PPR	

PREPARED BY: FAREEDA DUDEKULA
 DATE: 9/11/2018

FORM: 3531 REV 4 2/27/06

UL: V-INS, CONST UL REC

HZ:

Data Sheet

56T11F15527



Submital Data @ 460 V

Date: 9/11/2018

Customer:
 Attention: FAREEDA DUDEKULA

Submitted by: FAREEDA DUDEKULA

Motor Load Data

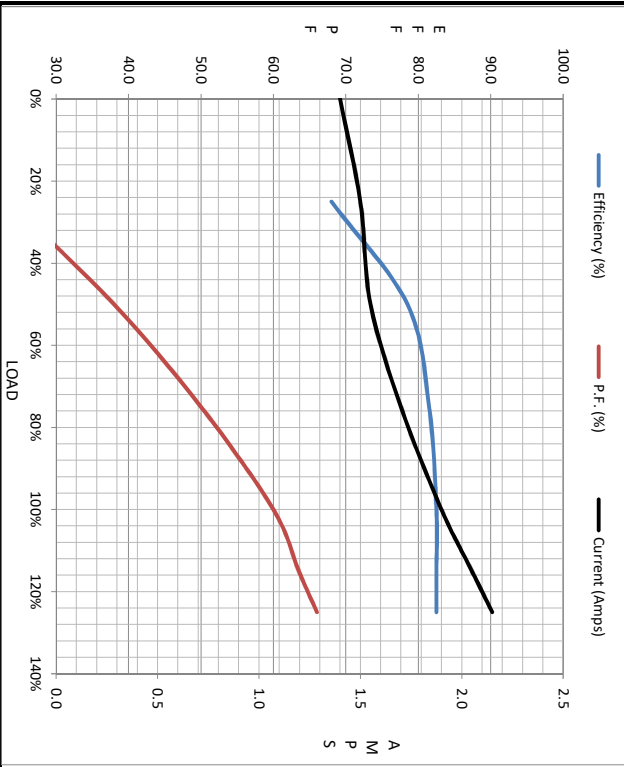
Load	0%	25%	50%	75%	100%	115%	125%	LR
Current (Amps)	1.40	1.50	1.55	1.70	1.90	2.05	2.15	11.8
Torque (ft-lb)	0.00	1.10	2.20	3.4	4.5	5.3	5.8	13.1
RPM	1200	1190	1180	1170	1160	1,155	1150	0
Efficiency (%)		68.0	73.5	81.5	82.5	82.5	82.5	
P.F. (%)	7.0	23.5	38.0	50.0	60.0	63.5	66.0	60.0

Motor Speed Data

	LR	Pull-Up	BD	Rated	Idle
Speed (RPM)	0	600	820	1160	1200
Current (Amps)	11.8	10.6	7.5	1.90	1.40
Torque (ft-lb)	13.1	11.8	18.4	4.5	0.00

Information Block

HP	1.0				
Sync. RPM	1200				
Frame	1451B2TFC080				
Enclosure	TEFC				
Construction	TFR				
Voltage	230/460#190/380 V				
Frequency	60 HZ				
Design	B				
LR Code letter	L				
Service Factor	1.15				
Temp Rise @ FL	40 °C				
Duty	CONT				
Ambient	40 °C				
Elevation	1,000 feet				
Motor/Shaft wk ²	0.14 Lb-Ft ²				
Ret Wdg	ZT6139 FR				
Sound Pressure @ 1M	62 DBA				
VFD Rating	NONE				
Outline Dwg	OL56100240-001				
Conn. Diag	CDTDD103				
Additional Specifications:					
0					
0					
	EQUIV CKT (OHMS / PHASE)				
	R1	R2	X1	X2	Xm
	8.9630	7.5450	14.2680	16.6790	210.8370



Speed - Torque Curve

